

INLINE

Pressure and vacuum sensor for vacuum lifting technology / robotics



Quick installation
4/6/8/10 mm push-in fluid connection

Extremely small & light
ø16-ø19 mm / 40 mm long / 20-30 g

Easily adjustable
by a potentiometer or via IO-Link

Various output signals
2xPNP output / analog output / IO-L

FAST, SMALL & LIGHT

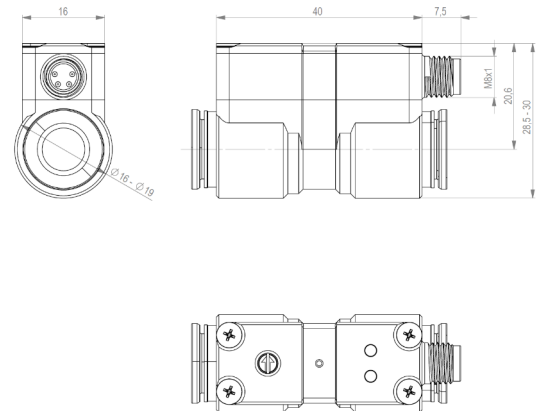
Short installation times

The push-in fluid connections enable simple and quick installation, even in existing pneumatic systems. In addition, the switching points can be adjusted as required using the potentiometer or via IO-Link. Due to these features, the InLine is also especially suitable for retrofit applications.

Vacuum lifting technology

In vacuum lifting technology, the size and weight of the sensors often matter. With its small size and low weight, it is predestined for vacuum lifting applications in combination with a robot arm, for example.

DIMENSIONS



ORDERING INFORMATION

1 - 08 - XX X1 - 0 XX X 00		
hose connection ø4mm	14	
hose connection ø6mm	07	
hose connection ø8mm	15	
hose connection ø10mm	16	
protection class IP40	5	
protection class IP68	8	
		-1...0 bar 1
		-1..1 bar 2
		-1..10 bar 3
		0..10 bar 4
		0..12 bar 5
		-1..3 bar 6
		0...0,25 bar 8
1x PNP / NO	11	
1x PNP / NC	12	
2x PNP with IO-Link	33	

"Cut the hose, put InLine in between, done!"